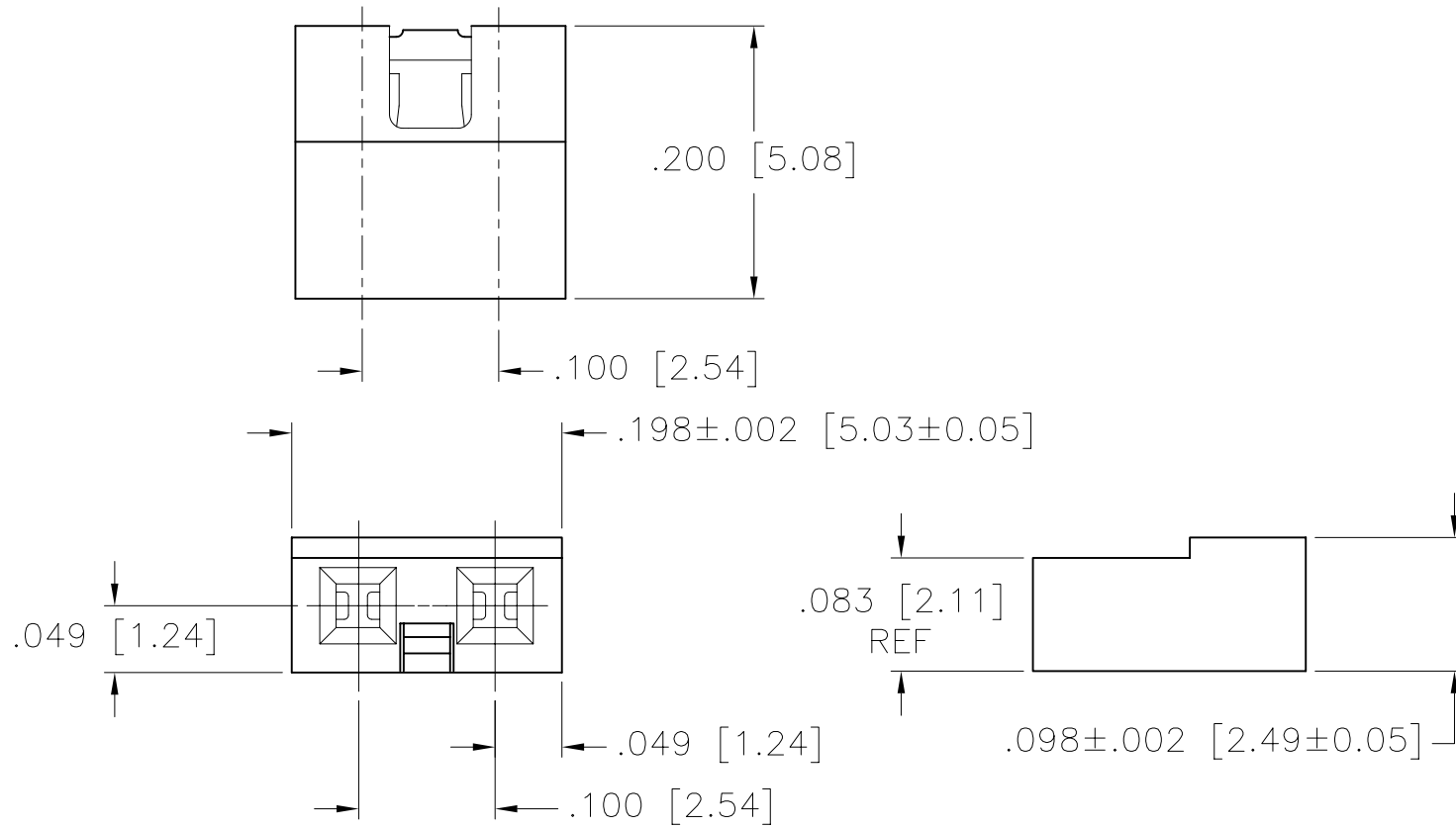


PRODUCT NUMBER
SEE TABLE



Copyright FCJ

mat'l. code				surface ISO 1302	<input checked="" type="checkbox"/>	tolerance ISO 406 ISO 1101	projection 	product family JUMPER
ltr	ec'n no	dr	date	tolerances unless otherwise specified			INCH/MM	title 1X2 LOW PROFILE JUMPER ASSEMBLY
H	v51301	MDF	01/04/96	angles	linear	.XX±.01/XX±0.3	scale 1:1	dwg no 68786 sheet 1 of 2 size A3
J	v20973	GIP	7/17/02			.XXX±.005/XX±0.13		
K	v03-1322	PJ	12/13/03	0°±2°		.XXX±.0020/XXX±0.05		type Product Customer Drawing
L	M05-0205	ERE	9/30/05	dr	R.EBY	10/07/87		
M	M06-0238	MN	6/16/06	engr	M.HAHN	10/07/87		
N	M06-0389	AGS	10/4/06	chr	M.HAHN	10/07/87		
P	M08-0209	MHT	7/18/08	appd	M.HAHN	10/07/87		
sheet	revision	P	P					
index	sheet	1	2					

PRODUCT No.	CONTACT PLATING	HSG COLOR	LEAD FREE
68786-102	15u"/.38u Au OVER 50u"/1.27u Ni	BLACK	NOTE 4
-202	30u"/.76u Au OVER 50u"/1.27u Ni	BLACK	
-302	100u"/2.54u Sn	BLACK	
-402	Au FLASH OVER 50u"/1.27u Ni	BLACK	
-103	15u"/.38u Au	BLUE	
-203	30u"/.76u Au	BLUE	
-303	100u"/2.54u Sn	BLUE	
-403	Au FLASH OVER 50u"/1.27u Ni	BLUE	
-802	SAME AS -202 EXCEPT ADD SPECIAL MIL MARKING		
68786-204	30u"/.76u Au OVER 50u"/1.27u Ni	YELLOW	
68786-304	100u"/2.54u Sn	YELLOW	

OBSOLETE
OBSOLETE
OBSOLETE

NOTES:

- ① MATERIAL: POLYESTER, FLAME RETARDANT PER UL-94-V0 .
- 2. RECOMMENDED APPLICATION DATA:
 - A. ALL MATING PINS TO BE .025/.64 SQ ON TRUE CENTERS OF GIVEN TERMINAL SPACING WITHIN .015/.38 DIA .
 - B. SUGGESTED MATING PIN LENGTH .160/4.06 MIN .
- ③ ADD "LF" SUFFIX AT THE END OF PART NUMBER FOR LEAD FREE OPTION.
- 4. THIS PRODUCT MEETS EUROPEAN UNION DIRECTIVES AND OTHER COUNTRY REGULATION AS DESCRIBED IN GS-22-008.
- 5. THIS PRODUCT IS NOT INTENDED TO BE EXPOSED TO A MANUFACTURING SOLDER PROCESS.

mat'l. code		surface ISO 1302		tolerance ISO 406 ISO 1101		projection 		product family JUMPER	
ltr	ecr no	dr	date	tolerances unless otherwise specified		INCH/MM		title 1X2 LOW PROFILE JUMPER ASSEMBLY	
P				angles	linear	scale 1:1		dwg no 68786	
				0°±2°	.XXX±.01/XX±0.3 .XXX±.005/XX±0.13 .XXXX±.0020/XXX±0.05			sheet 2 of 2 size A3	
				dr	R.EBY	10/07/87		type Product Customer Drawing	
				enr	M.HAHN	10/07/87			
				chr	M.HAHN	10/07/87			
				appd	M.HAHN	10/07/87			
sheet index	revision sheet								

FCJ
FCconnect.com
Copyright FCJ